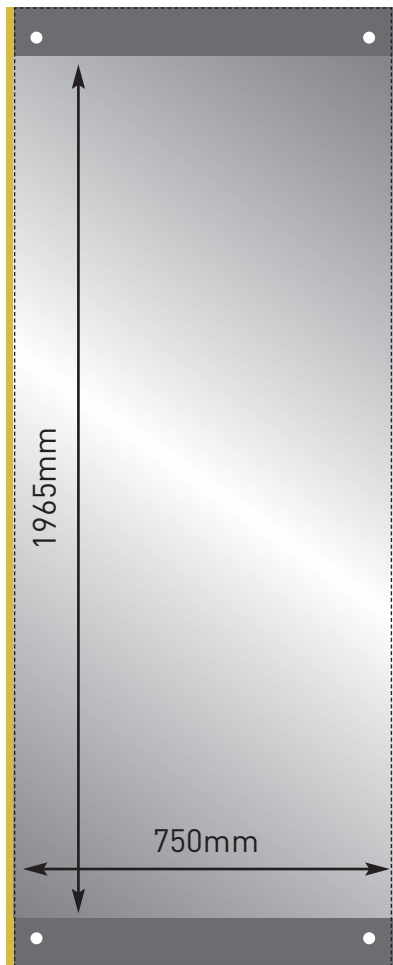


# CENTRO 1 (750mm - double sided tape) Graphic Specification

1965mm x 750mm

TOP

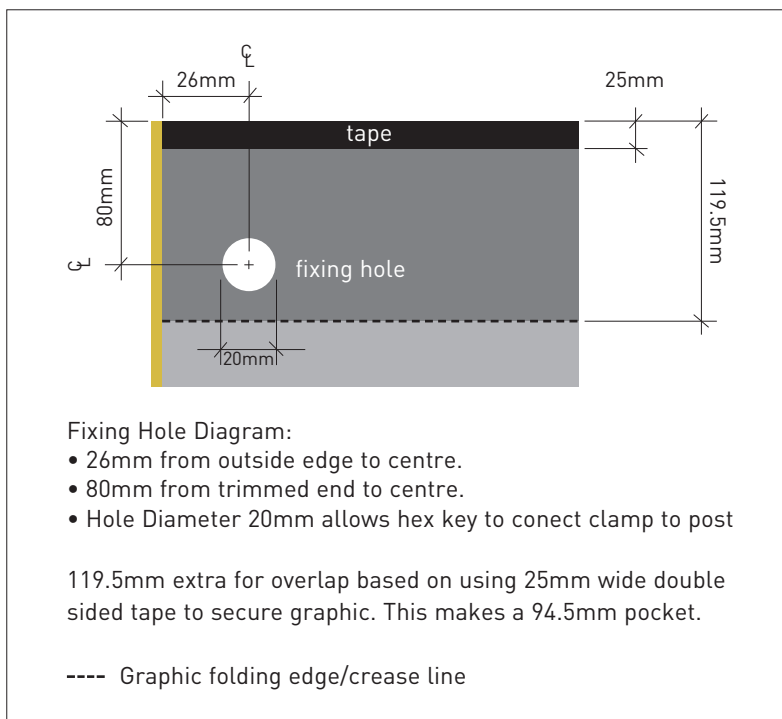


Visible graphic area  
1965mmH x 750mmW

Finished print size  
2204mmH x 750mmW

Image bleed area  
2204mmH x 770mmW  
(10mm to vertical edges of  
the design)

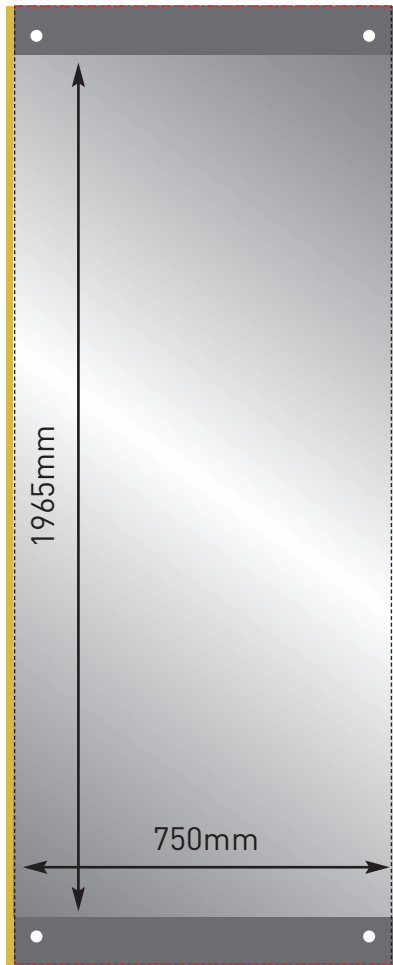
BOTTOM



# CENTRO 1 (750mm - sewn pockets) Graphic Specification

1965mm x 750mm

TOP

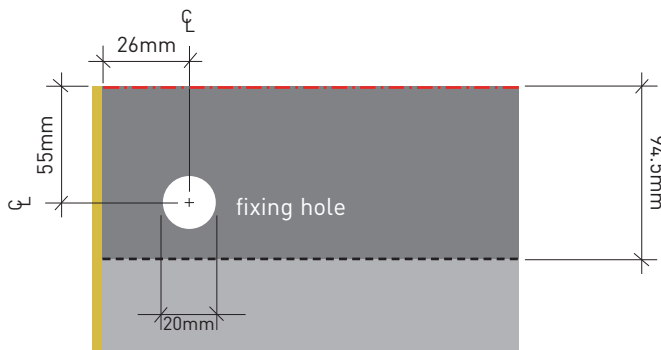


Visible graphic area  
1965mmH x 750mmW

Finished print size  
2154mmH x 750mmW

Image bleed area  
2154mmH x 770mmW  
(10mm to vertical edges of  
the design)

BOTTOM



Fixing Hole Diagram:

- 26mm from outside edge to centre.
- 55mm from trimmed end to centre.
- Hole Diameter 20mm allows hex key to connect clamp to post

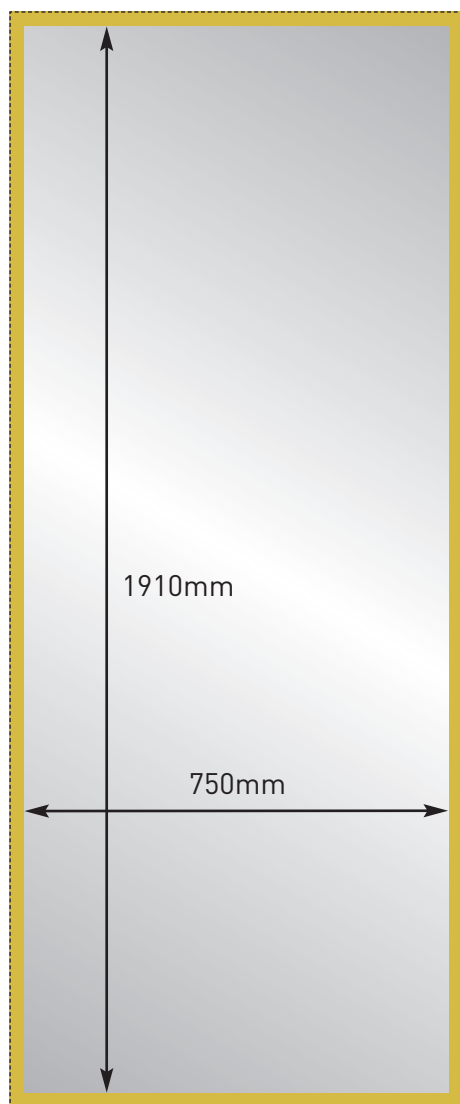
94.5mm extra for overlap based on sewing top edge to secure graphic. This makes a 94.5mm pocket.


- Graphic folding edge/crease line
- - - Sewing line





# CENTRO 1 (750mm) Graphic Specification for rigid panel

1910mm x 750mm



 Visible graphic area  
1910mmH x 750mmW

 Finished print size  
1930mmH x 764mmW  
(7mm max. panel thickness)

 Image bleed area  
1930mmH x 764mmW  
(7mm to vertical edges and 10mm  
to horizontal edges of the design)

